



CYLINDER HEAD COVER

V10-3868 | 06D 103 469 N*

AIR CONTROL SYSTEMS | 11103



PROBLEM

- Too much vacuum in the crankcase system prevents the oil from flowing correctly



REASONS FOR FAILURE

- A wrong oil separator has been installed



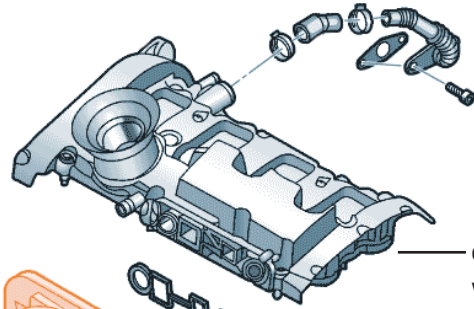
RECOMMENDED BY THE EXPERTS

- Please check carefully which oil separator is needed
- Use **VAICO EXPERTS KITS+**: cylinder head cover + oil separator, in one kit (details on page 2)



DID YOU KNOW?

Cars with engine code **BPY, BWA, BPY, BXIK** have enough self-pressure in the pressure room. For those cars it is absolutely necessary to use the oil separator **without throttle valve (06F 129 101 P*, V10-9751)**. Otherwise, the pressure is additionally increased, which leads to **too much vacuum** and further issues in the breather system.



cylinder head cover
V10-3868 | 06D 103 469 N*



CHECK ENGINE CODE

CDCC, CDLF, CDLG, CRZA, CDLA, CDLD

- **NOT** enough self-pressure
- additional throttle valve

VALVE, ENGINE BLOCK BREATHER

WITH THROTTLE VALVE



Engine Code	CDCC, CDLF, CDLG, CRZA, CDLA, CDLD
Audi	A3, A4, A6
Seat	Leon, Altea
VW	Golf V, Passat
Engine Type	Petrol
X-Ref	06F 129 101 N*

V10-9732

BPY, BWA, BPJ, BYIK

- enough self-pressure
- **NO** additional throttle valve

VALVE, ENGINE BLOCK BREATHER

WITHOUT THROTTLE VALVE



Engine Code	BPY, BWA, BPJ, BYIK
Audi	A3, A4, A6
Seat	Leon, Altea
VW	Golf V, Passat
Engine Type	Petrol
X-Ref	06F 129 101 P*

V10-9751

* For detailed vehicle information, please refer to the vehicle lists under www.autoteile.de.

Notes: Temporary offers are only valid while stocks last. All offers remain subject to prior sale. Our general terms and conditions of sale and delivery as well as our warranty conditions apply, which are available for download on our website. All prices are net prices. Errors excepted. Reference numbers and names, with the exception of VIEROL AG, are for comparison only and may not be disclosed in invoices. They are non-binding and no indication of origin. © VIEROL AG



REPAIR SET, CYLINDER HEAD COVER

V10-4149 | 06D 103 469 N KIT1* & V10-4152 | 06D 103 469 N KIT2*

AIR CONTROL SYSTEMS | 11103



RECOMMENDED BY THE EXPERTS

- To avoid those problems, please always replace the cylinder head cover, the corresponding oil separator and hoses.



CHECK ENGINE CODE

CDCC, CDLF, CDLG, CRZA, CDLA, CDLD

BPY, BWA, BPJ, BYIK

REPAIR SET, CYLINDER HEAD COVER

WITH THROTTLE VALVE



Engine Code	CDCC, CDLF, CDLG, CRZA, CDLA, CDLD		
Audi	A3, A4, A6		
Seat	Leon, Altea		
VW	Golf V, Passat		
Parts list	1x cylinder head cover	06D 103 469 N*	V10-3868
	1x oil separator	06F 129 101 N*	V10-9732
	1x gasket	06F 103 483 E*	V10-2559
	4x screws	N 104 128 04*	V10-3245
	1x hose	06F 103 235*	V10-2779
	1x hose	06F 103 221 E*	V10-0775

Engine Type Petrol

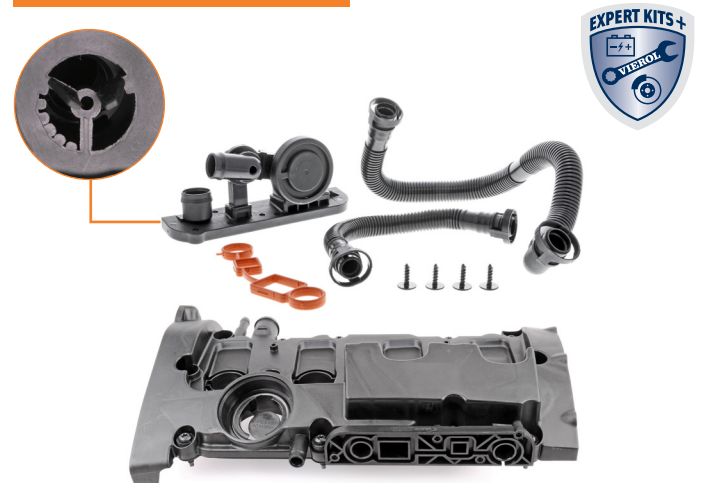
X-Ref

06D 103 469 N kit1*

V10-4149

REPAIR SET, CYLINDER HEAD COVER

WITHOUT THROTTLE VALVE



Engine Code	BPY, BWA, BPJ, BYIK		
Audi	A3, A4, A6		
Seat	Leon, Altea		
VW	Golf V, Passat		
Parts list	1x cylinder head cover	06D 103 469 N*	V10-3868
	1x oil separator	06F 129 101 P*	V10-9751
	1x gasket	06F 103 483 E*	V10-2559
	4x screws	N 104 128 04*	V10-3245
	1x hose	06F 103 235*	V10-2779
	1x hose	06F 103 221 E*	V10-0775

Engine Type Petrol

X-Ref

06D 103 469 N kit2*

V10-4152

* For detailed vehicle information, please refer to the vehicle lists under www.autoteile.de.

Notes: Temporary offers are only valid while stocks last. All offers remain subject to prior sale. Our general terms and conditions of sale and delivery as well as our warranty conditions apply, which are available for download on our website. All prices are net prices. Errors excepted. Reference numbers and names, with the exception of VIEROL AG, are for comparison only and may not be disclosed in invoices. They are non-binding and no indication of origin. © VIEROL AG